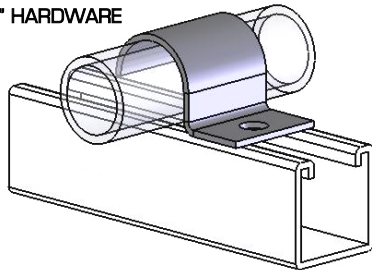
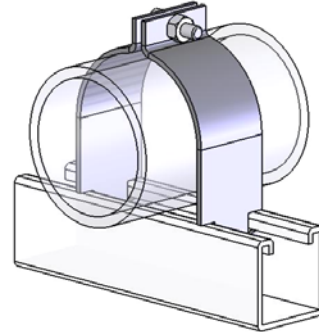


PIPE CLAMPS/STRAPS

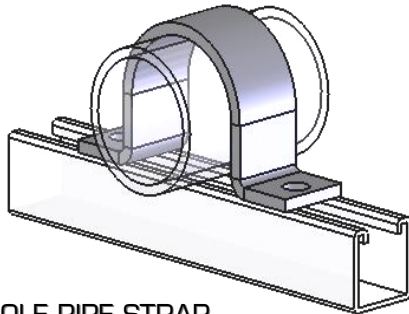
USED WITH 1/4" HARDWARE



(1) HOLE PIPE STRAP
SIZES 1/4" TO 1" O.D.



(2) PIECE PIPE CLAMP FOR
THIN WALL CONDUIT (3/8" TO 2")
E.M.T. (3/8" TO 2")
RIGID STEEL (3/8" TO 8")
O.D. TUBING (1/4" TO 12")



(2) HOLE PIPE STRAP
REQUIRES HEX BOLT AND SPRING NUT
ORDER SEPERATLY

| PIPE SIZE | BOLT SIZE | MAT'L THICK |
|-----------|-----------|-------------|
| 1/2" | 1/4" | 1/8" |
| 3/4" | 1/4" | 1/8" |
| 1" | 1/4" | 1/8" |
| 1-1/4" | 1/4" | 1/8" |
| 1-1/2" | 1/4" | 1/8" |
| 2" | 3/8" | 1/4" |
| 2-1/2" | 3/8" | 1/4" |
| 3" | 3/8" | 1/4" |
| 3-1/2" | 3/8" | 1/4" |
| 4" | 3/8" | 1/4" |
| 5" | 3/8" | 1/4" |
| 6" | 3/8" | 1/4" |
| 8" | 1/2" | 1/4" |

AVAILABLE FINISHES: ELECTRO GALVANIZED,
HOT DIP GALVANIZED, T-304, T-316 AND
FIBERGLASS

TRIPAC

475 KLUG CIRCLE • CORONA, CA 92880-6406
(800) 720-8771 • FAX: (888) 718-0696

A DIVISION OF TRIPAC MARKETING, INC.