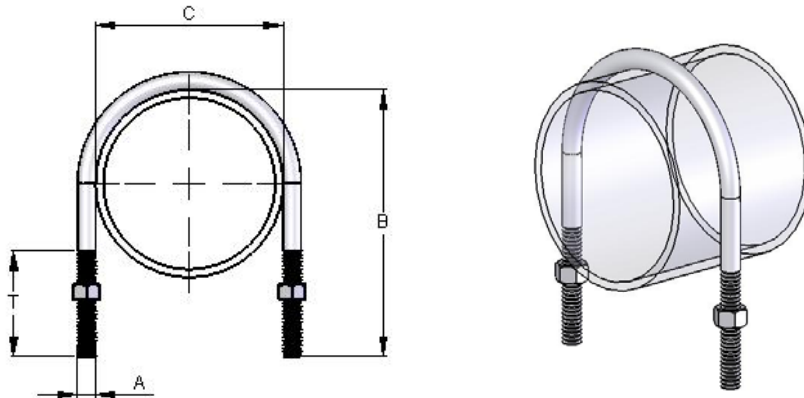


U-BOLTS



PIPE SIZE	A	B	C	T
1/4"	1/4"	1 - 1/4"	9/16"	3/4"
3/8"	1/4"	2 - 1/4"	3/4"	1 - 1/2"
1/2"	1/4"	1 - 3/4"	1"	1 - 1/4"
3/4"	1/4"	2 - 1/4"	1 - 1/4"	1 - 1/4"
1"	1/4"	2 - 3/4"	1 - 1/2"	1 - 3/8"
1 - 1/4"	1/4"	3"	1 - 3/4"	1 - 3/8"
1 - 1/2"	1/4"	3 - 1/4"	2"	1 - 3/8"
2"	3/8"	3 - 1/8"	2 - 1/2"	1 - 1/4"
2 - 1/2"	3/8"	3 - 5/8"	3"	1 - 1/4"
3"	1/2"	5"	3 - 1/2"	1 - 1/2"
3 - 1/2"	1/2"	5 - 1/2"	4"	1 - 1/2"
4"	1/2"	6"	4 - 1/2"	1 - 1/2"
5"	1/2"	7 - 1/4"	5 - 5/8"	2"
6"	1/2"	8 - 3/8"	6 - 3/4"	2"
8"	1/2"	10 - 3/8"	8 - 3/4"	2"
10"	3/4"	13 - 13/16"	10 - 7/8"	4"
12"	7/8"	16 - 1/16"	12 - 7/8"	4 - 1/4"
14"	7/8"	17 - 5/16"	14 - 1/8"	4 - 1/4"
16"	7/8"	19 - 15/16"	16 - 1/8"	4 - 1/4"

- U-BOLTS WITH I.D.'S NOT LISTED ABOVE ARE MADE TO ORDER
- (2) HEX NUTS SUPPLIED WITH U-BOLTS

AVAILABLE FINISHES: PLAIN, PRIME COAT, ELECTRO GALVANIZED, HOT DIP GALVANIZED, T-304 AND T-316

TRIPAC

A DIVISION OF TRIPAC MARKETING, INC.

475 KLUG CIRCLE • CORONA, CA 92880-6406
(800) 720-8771 • FAX: (888) 718-0696