

# THREADED PIPE WITH ADJUSTER

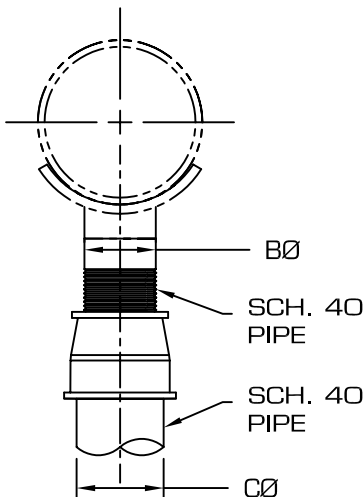
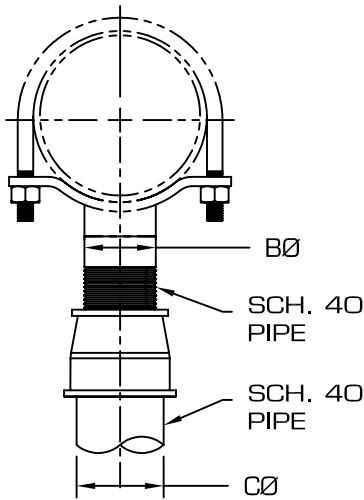
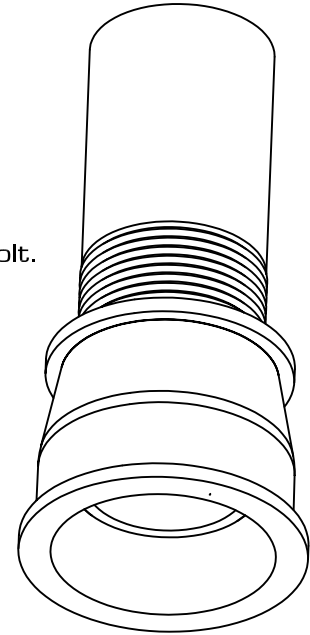
**APPROVALS:** Conforms to Federal Specifications WW-H-171E type 39 2 1/2" thru 36" and Manufactures Standardization Society SP-69, type 38, when used with Saddle Support or Saddle Support with U-Bolt.

**FUNCTION:** Designed to provide up to 4 1/2" inches of vertical adjustment after installation. Normally used in conjunction with Threaded Stand Pipe and Pipe Saddle or Saddle with U-Bolt.

**MATERIAL:** Steel pipe with malleable iron reducer.

**ORDER BY:** TPADJ (Threaded Pipe with Adjuster), adjuster size and finish

**FINISH:** Plain, Electro Galvanized, HDG



ADJUSTER SIZE	FOR PIPE SIZE	B	C	MAX. ADJUSTMENT	APPROX. WEIGHT PER 100
1-1/2	2-1/2 TO 3-1/2	1-1/2	2-1/2	4-1/2	350
2-1/2	4 TO 12	2-1/2	3	4-1/2	630
3	14 TO 16	3	4	4-1/2	1140
4	18 TO 36	4	6	4-1/2	2000

**TRIPAC**

A DIVISION OF TRIPAC MARKETING, INC.

475 KIWICIRCLE • CORONA, CA 92880-6406  
(800) 720-8771 • FAX: (888) 718-0696