

# PIPE SADDLE WITH U-BOLT

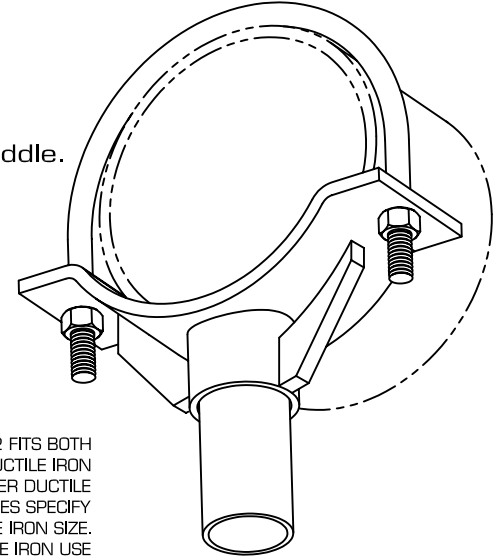
**APPROVALS:** Conforms to Federal Specifications WW-H-171E type 38, 4 thru 36 inch, and Manufactures Standardization Society SP-69, type 37

**FUNCTION:** Designed to support horizontal pipe from floor stanchion. U-bolts and hex nuts are provided to hold pipe securley to saddle. To complete floor stanchion, use with Stand Pipe. For complete floor stanchion with vertical adjustment, use Threaded Pipe Adjuster and Threaded Stand Pipe.

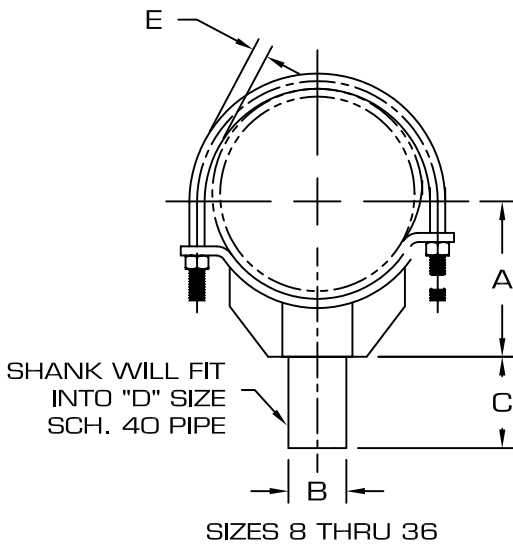
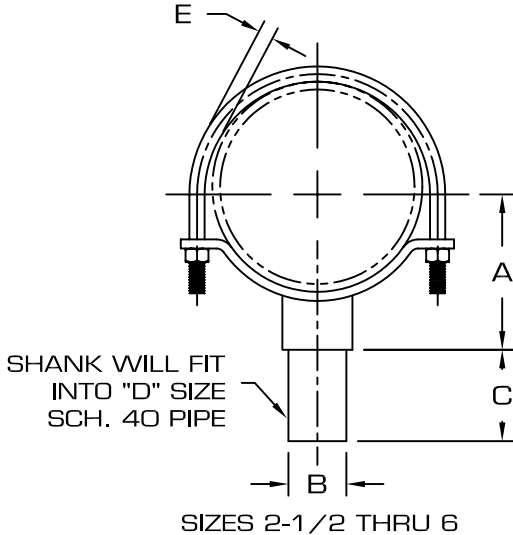
**MATERIAL:** Carbon Steel or Stainless Steel

**ORDER BY:** SS/U-Bolt ,pipe size, material and finish.

**FINISH:** Plain, Electro Galvanized and HDG



4 THRU 12 FITS BOTH STEEL AND DUCTILE IRON PIPE. FOR OTHER DUCTILE IRON PIPE SIZES SPECIFY DUCTILE IRON SIZE. 3 DUCTILE IRON USE SIZE 3-1/2



PIPE SIZE	MAX. O.D.	A	B	C	D	E	STOCK SIZE	APPROX. WEIGHT PER 100
2-1/2	2-7/8	2-11/16	1-1/2*	2	1-1/2	1/2	1/4 x 2-1/2	230
3	3-1/2	3	1-1/2*	2	1-1/2	1/2	1/4 x 2-1/2	248
3-1/2	4	3-1/4	1-1/2*	2	1-1/2	1/2	1/4 x 2-1/2	270
4	4-7/8	3-13/16	2-3/8	2	2-1/2	1/2	3/8 x 4	620
5	5-5/8	4-3/16	2-3/8	2	2-1/2	1/2	3/8 x 4	660
6	7	4-7/8	2-3/8	2	2-1/2	5/8	3/8 x 4	835
8	9-1/8	6-15/16	2-3/8	2	2-1/2	5/8	3/8 x 4	1120
10	11-1/8	7-15/16	2-3/8	2	2-1/2	3/4	3/8 x 4	1400
12	13-1/2	9-1/8	2-3/8	3	2-1/2	7/8	3/8 x 4	1800
14	14	10-1/2	2-7/8	3	3	7/8	1/2 x 6	2930
16	16	11-1/2	2-7/8	3	3	7/8	1/2 x 6	3225
18	18	13-1/2	3-3/4	4	4	1	1/2 x 6	3960
20	20	14-1/2	3-3/4	4	4	1	1/2 x 6	4309
24	24	17-1/2	3-3/4	4	4	1	1/2 x 6	5188
30	30	20-5/8	3-3/4	4	4	1	5/8 x 6	6948
36	36	23-5/8	3-3/4	4	4	1	5/8 x 6	8046

\* MANUFACTURED WITH ROUND BAR, INSTEAD OF SCH.40 PIPE.

**TRIPAC**

A DIVISION OF TRIPAC MARKETING, INC.

475 KJG CIRCLE • CORONA, CA 92880-6406  
(800) 720-8771 • FAX: (888) 718-0696