

Link-Seal® Modular Seals

SUBMITTAL SPECIFICATIONS

MATERIAL PROPERTIES OF Link-Seal Modular Seals

HARDNESS SHORE A ASTM D-2240	TENSILE ASTM D-412	ELONGATION ASTM D-412	COMPRESSION SET ASTM S-395	SPECIFIC GRAVITY ASTM D-297
47 ± 3	1450 PSI	400%	15% 22 HRS @ 158° F	1.10

MODEL "C" Link-Seal Modular Seals

MODEL "C": SUITABLE FOR USE IN WATER, DIRECT GROUND BURIAL AND ATMOSPHERIC CONDITIONS. PROVIDES ELECTRICAL ISOLATION WHERE CATHODIC PROTECTION IS REQUIRED.

SEAL ELEMENT: EPDM (BLACK)

PRESSURE PLATES: REINFORCED NYLON POLYMER

BOLTS AND NUTS: STEEL WITH 2-PART ZINC (ASTM B633) DICHROMATE AND PROPRIETARY CORROSION INHIBITING COATING

TEMPERATURE RANGE: -40 TO +250°F

MODEL "S-316" Link-Seal Modular Seals

MODEL "S-316": FOR CHEMICAL PROCESSING AND WASTE WATER TREATMENT. EPDM RUBBER IS RESISTANT TO MOST INORGANIC ACIDS AND ALKALIS, SOME ORGANIC CHEMICALS (ACETONE, ALCOHOL, KETONES).

SEAL ELEMENT: EPDM (BLACK)

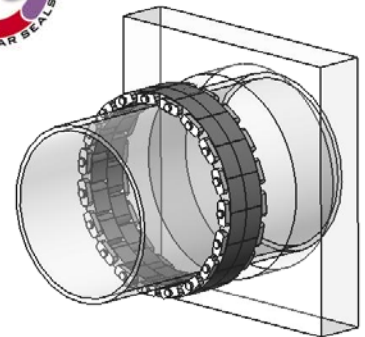
PRESSURE PLATES: REINFORCED NYLON POLYMER

BOLTS AND NUTS: TYPE 316 STAINLESS STEEL (ASTM F593 - F594-95)

TEMPERATURE RANGE: -40 TO +250°F



MANUFACTURED BY *PIPELINE SEAL AND INSULATOR, INC*
HOUSTON, TEXAS FACILITY THAT HAS A REGISTERED ISO 9001:2000
QUALITY MANAGEMENT SYSTEM. STOCKED AND DISTRIBUTED BY
TRIPAC IN THE CORONA, CALIFORNIA WAREHOUSE.



TRIPAC

A DIVISION OF TRIPAC MARKETING, INC.

475 KLUG CIRCLE • CORONA, CA 92880-6406
(951) 280-4488 • FAX: (951) 272-4445