

TRIPAC FIG. TP-272 ADJUSTABLE ROLLER HANGER

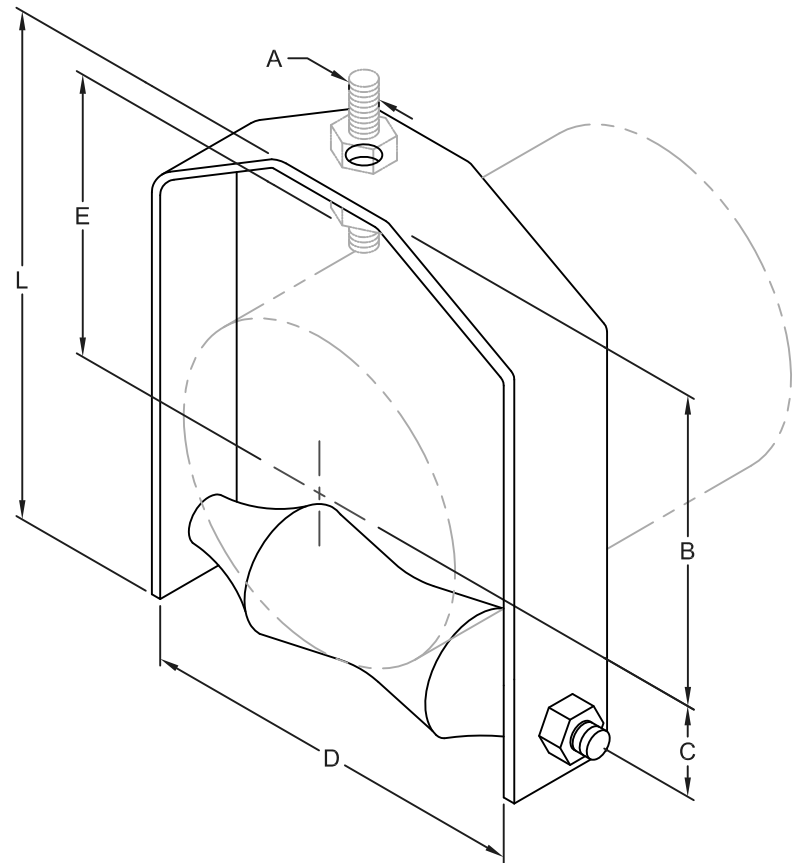
SIZE RANGE-2" THRU 20" PIPE

SERVICE-DESIGNED FOR SUSPENSION OF PIPE WHERE LONGITUDINAL MOVEMENT OF PIPE MAY OCCUR DUE TO EXPANSION AND CONTRACTION, AND WHERE VERTICAL ADJUSTMENT MAY BE NECESSARY.

MATERIAL-CARBON STEEL YOKE AND CROSS BOLT WITH CAST IRON ROLLER.

FINISHES-PLAIN, ELECTRO-GALVANIZED, HDG

COMPLIES WITH FEDERAL SPECIFICATION WW-H-171-E (TYPE #44), A-A-1192 A (TYPE #43) AND MANUFACTURERS STANDARDIZATION SOCIETY MSS SP-58 AND SP-69 (TYPE #43)



DIMENSIONS & WEIGHTS

PIPE SIZE	A	B	C	D	E	L	MAX. REC. LOAD LBS.	WEIGHT EACH (LBS.)
2"	1/2"	3-3/8"	1-9/16"	2-7/8"	2-1/4"	5-5/8"	150	1.14
2-1/2"	1/2"	3-15/16"	1-7/8"	3-1/4"	2-13/16"	6-1/2"	225	1.47
3"	1/2"	4-5/16"	2-1/8"	3-13/16"	3-3/16"	7-3/16"	310	1.62
3-1/2"	1/2"	4-5/8"	2-1/2"	4-5/16"	3-7/16"	7-15/16"	390	2.76
4"	5/8"	4-13/16"	2-13/16"	4-7/8"	3-3/8"	8-1/2"	475	3.16
5"	5/8"	5-3/4"	3-3/8"	5-7/8"	4-5/16"	9-15/16"	685	4.62
6"	3/4"	6-3/8"	3-15/16"	7"	4-5/8"	11-1/4"	780	6.08
7"	3/4"	6-5/16"	4-1/2"	8"	4-9/16"	11-5/8"	780	7.59
8"	7/8"	7-9/16"	5-1/8"	9"	5-7/16"	13-7/8"	780	11.83
10"	7/8"	8-3/4"	6-1/4"	11-1/8"	6-5/8"	16-1/4"	965	17.29
12"	7/8"	9-5/8"	7-3/8"	13"	7-7/8"	18-7/8"	1200	22.50
14"	1"	11-1/4"	8-3/8"	14-1/4"	9-1/4"	21-7/8"	1200	33.00
16"	1"	12-1/4"	9-3/8"	16-1/4"	10-1/4"	24-1/8"	1200	46.00
18"	1"	13-1/4"	10-1/2"	18-1/4"	11-1/4"	26-1/2"	1400	50.50
20"	1-1/4"	14-1/4"	11-5/8"	20-1/4"	12-1/4"	28-1/8"	1600	65.00

TRIPAC

475 KLUG CIRCLE • CORONA, CA 92880-6406
(951) 280-4488 • FAX: (951) 272-4445

A DIVISION OF TRIPAC MARKETING, INC.

WWW.TRIPACONLINE.COM