

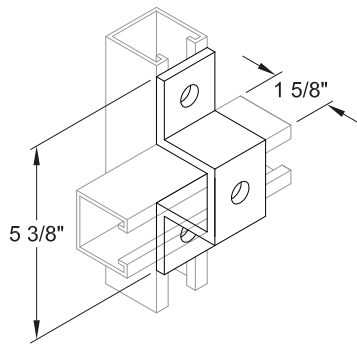
U-SHAPE FITTINGS

SIZE INFORMATION

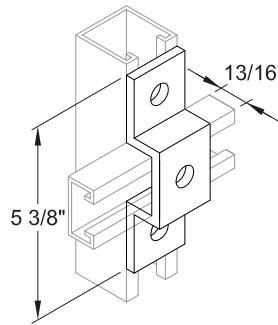
STANDARD SERIES

Hole Size	9/16"
Hole Spacing	1 7/8" O.C.
Thickness	1/4"
Width	1 5/8"
Std. Finish	E.G., HDG, PLAIN, & T-316

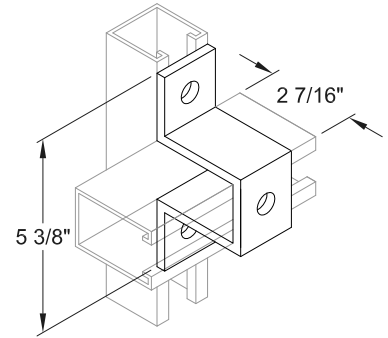
Specify type channel by changing suffix.



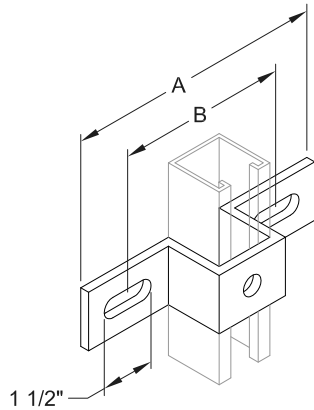
TP-U10(A)



TP-U11(C)

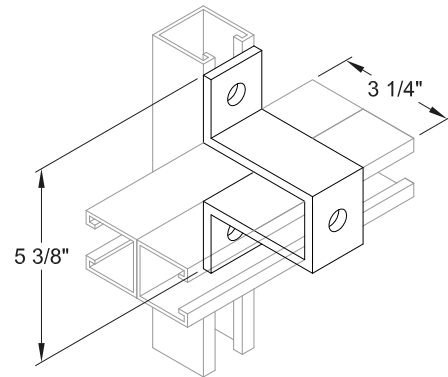


TP-U12(D)

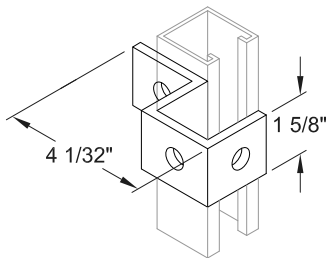


TP-U13 (7 1/4")

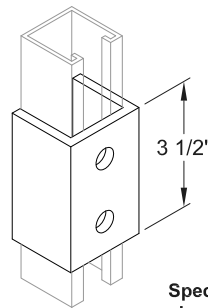
A	B
7 1/4"	4 1/8"
8 1/2"	5 3/8"
10 3/8"	7 1/4"



TP-U16

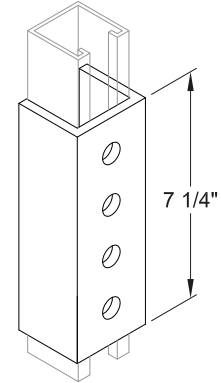


TP-U18

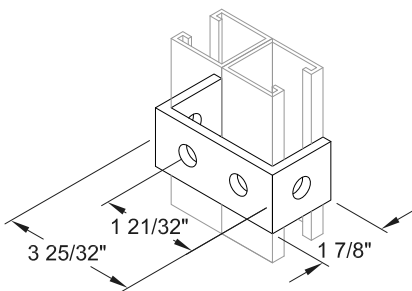


TP-U22(A)

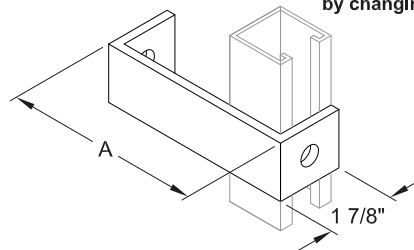
Specify type channel by changing suffix.



TP-U24(A)

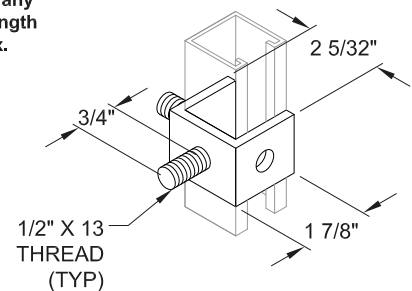


TP-U26



TP-U27(A)

"A" is available in any length. Specify length by changing suffix.



TP-U28

TRIPAC

475 KLUG CIRCLE • CORONA, CA 92880-6406
(951) 280-4488 • FAX: (951) 272-4445

A DIVISION OF TRIPAC MARKETING, INC.

WWW.TRIPACONLINE.COM

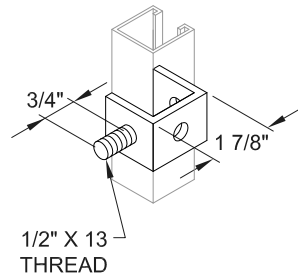
U-SHAPE FITTINGS & Z-SHAPE FITTINGS

U-SHAPE FITTINGS

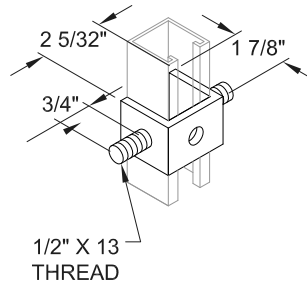
SIZE INFORMATION

STANDARD SERIES

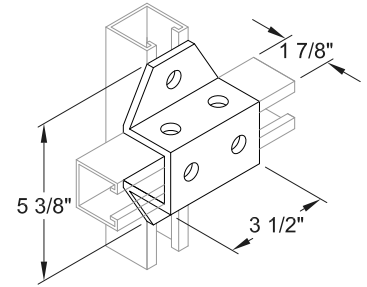
Hole Size	9/16"
Hole Spacing	1 7/8" O.C.
Thickness	1/4"
Width	1 5/8"
Std. Finish	E.G., HDG, PLAIN, & T-316



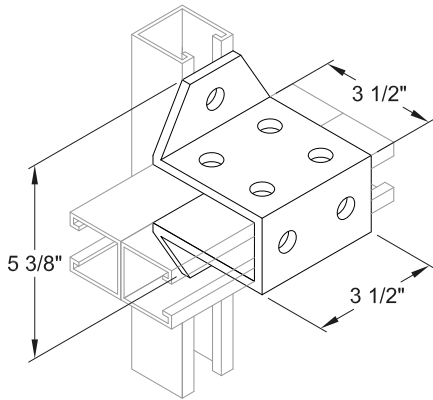
TP-U29



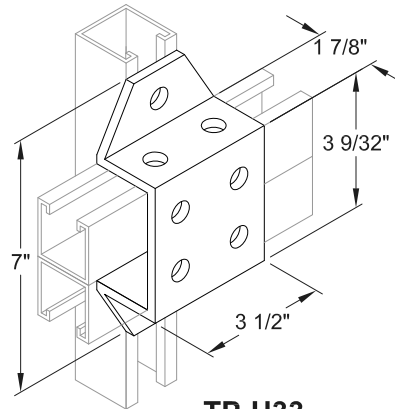
TP-U30



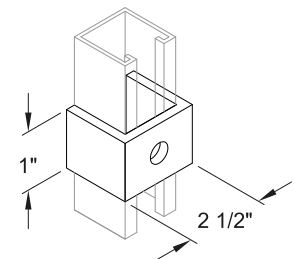
TP-U31



TP-U32



TP-U33



TP-U34

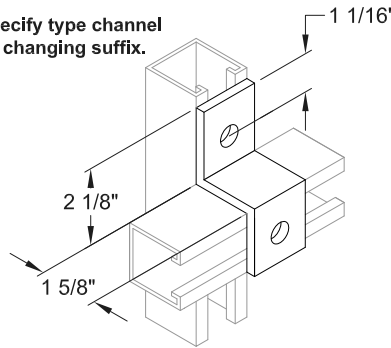
Z-SHAPE FITTINGS

SIZE INFORMATION

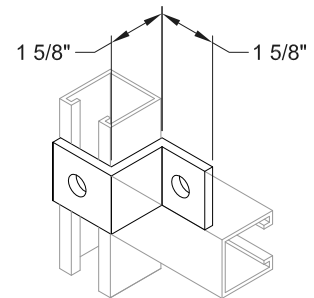
STANDARD SERIES

Hole Size	9/16"
Hole Spacing	1 7/8" O.C.
Thickness	1/4"
Width	1 5/8"
Std. Finish	E.G., HDG, PLAIN, & T-316

Specify type channel
by changing suffix.

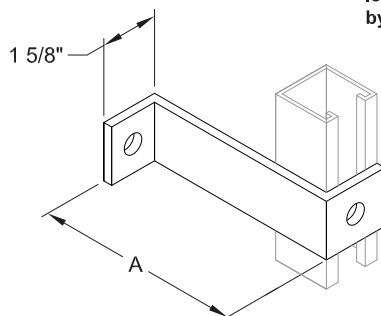


TP-Z10(A)



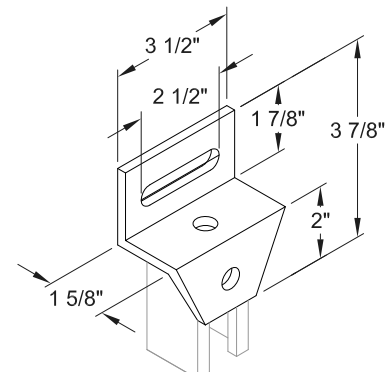
TP-Z15

"A" is available in any
length. Specify length
by changing suffix.



TP-Z17(4")

A
4"
5"
6"
7"
8"



TP-Z25

TRIPAC

475 KLUK CIRCLE • CORONA, CA 92880-6406
(951) 280-4488 • FAX: (951) 272-4445

A DIVISION OF TRIPAC MARKETING, INC.

WWW.TRIPACONLINE.COM